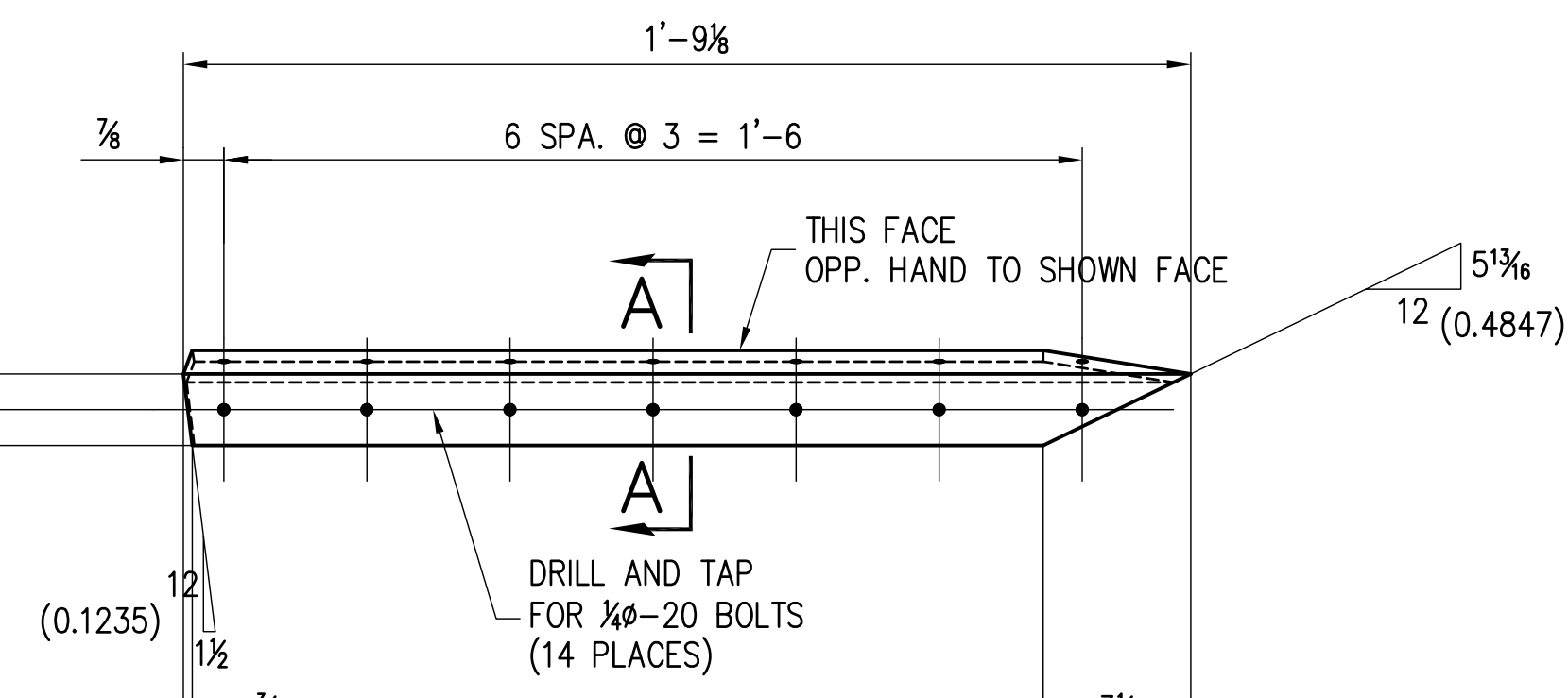
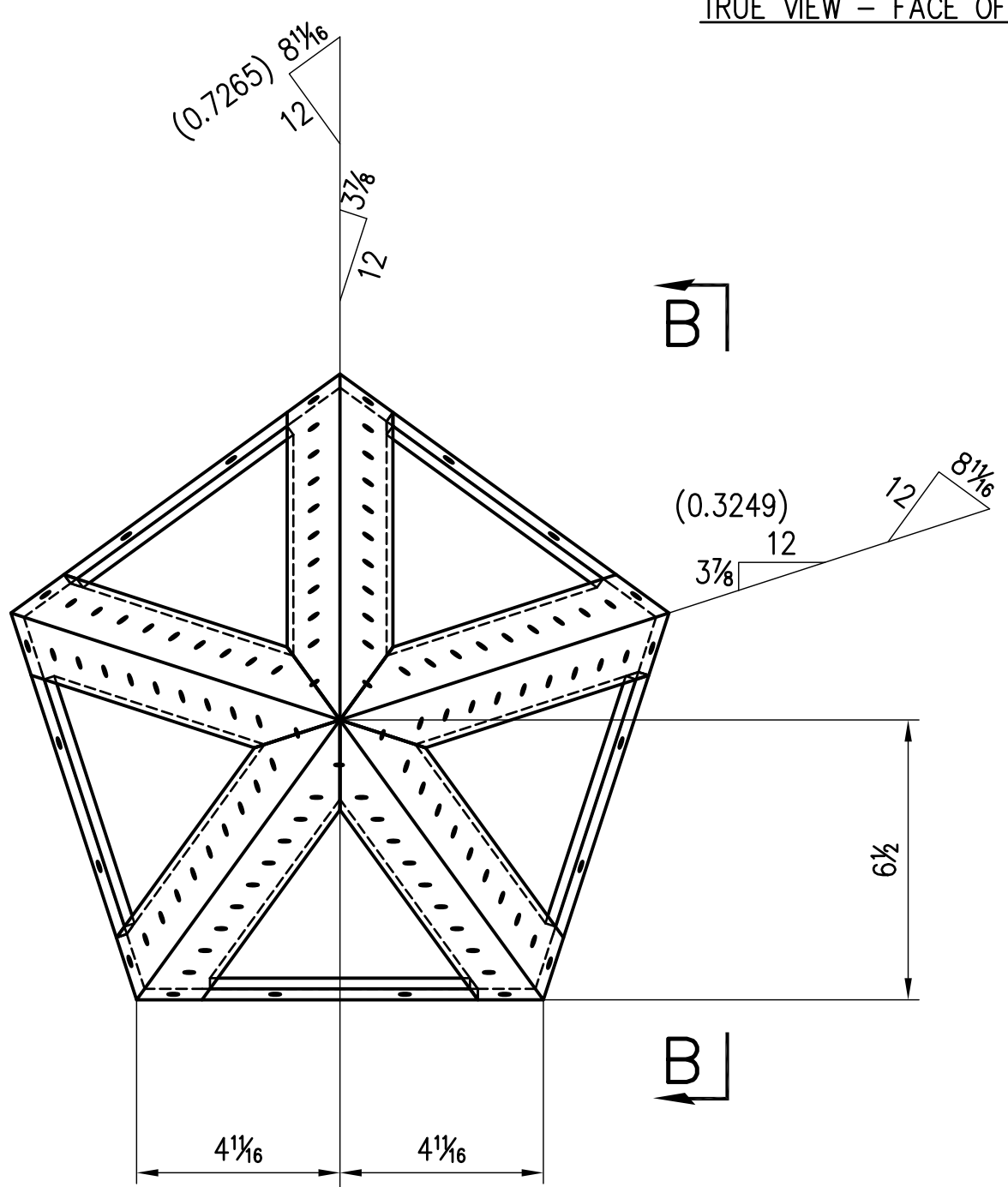


**DETAIL OF BAR-a1**  
TRUE VIEW - FACE OF ANGLE

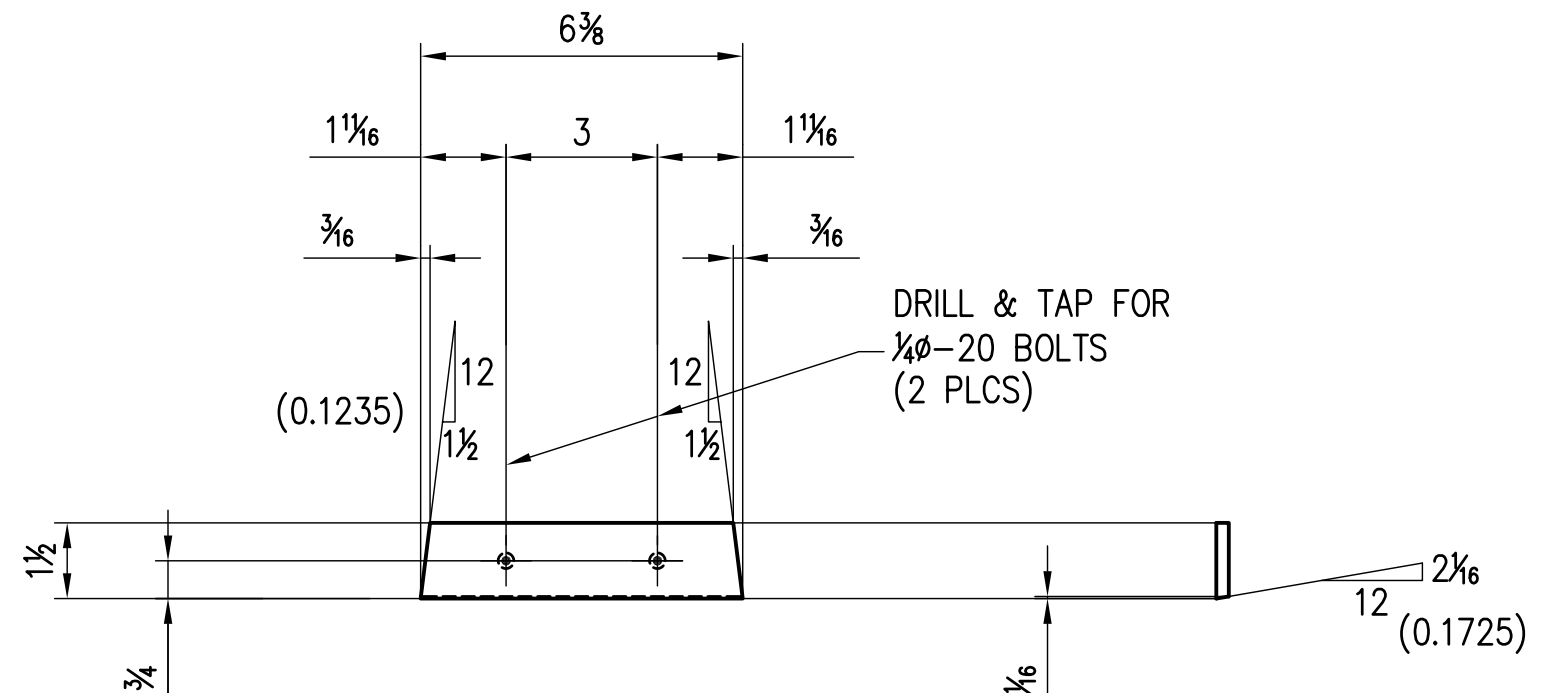
**SECTION A-A**



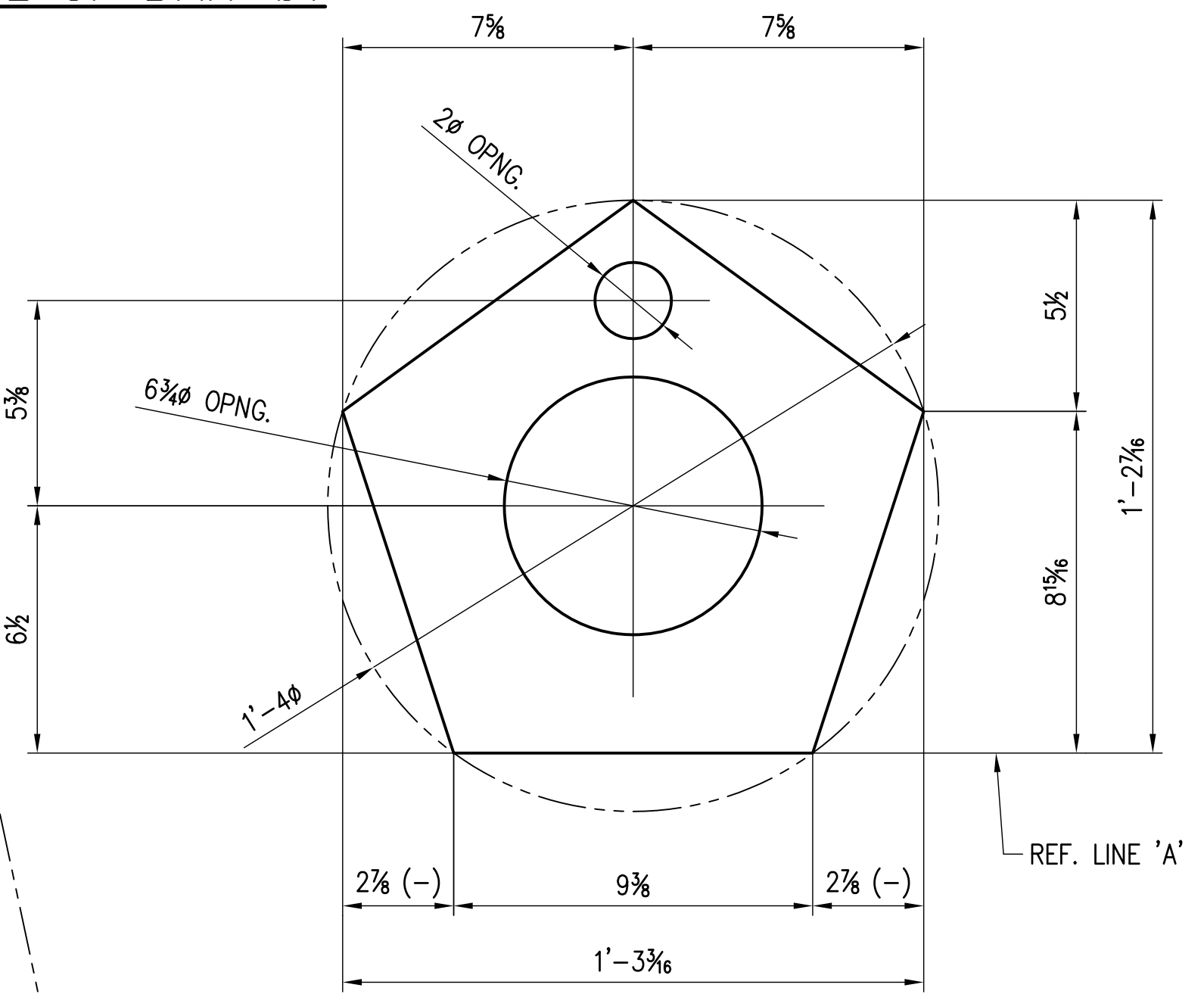
**DETAIL OF BAR-c1**  
TRUE VIEW - FACE OF ANGLE



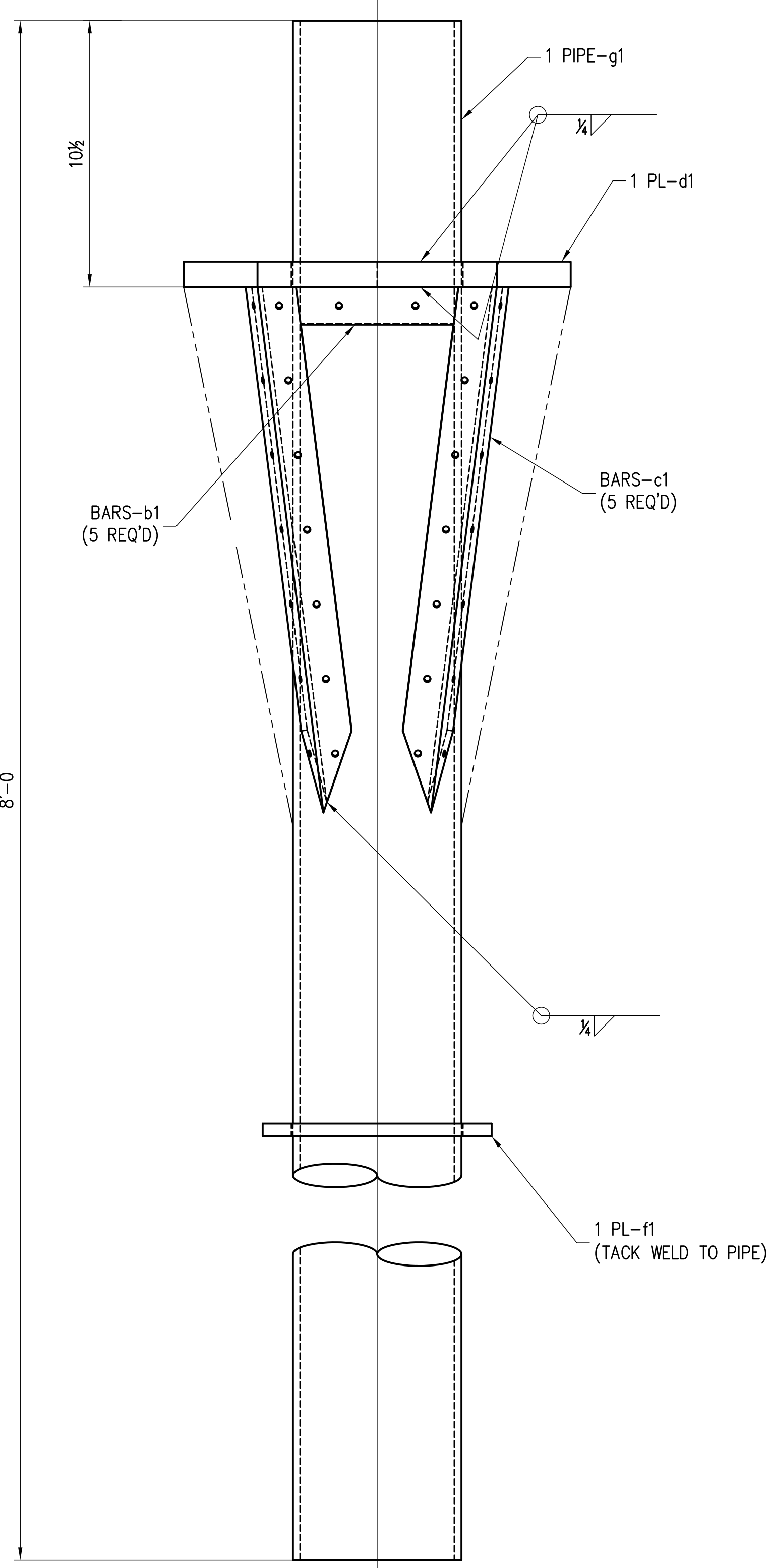
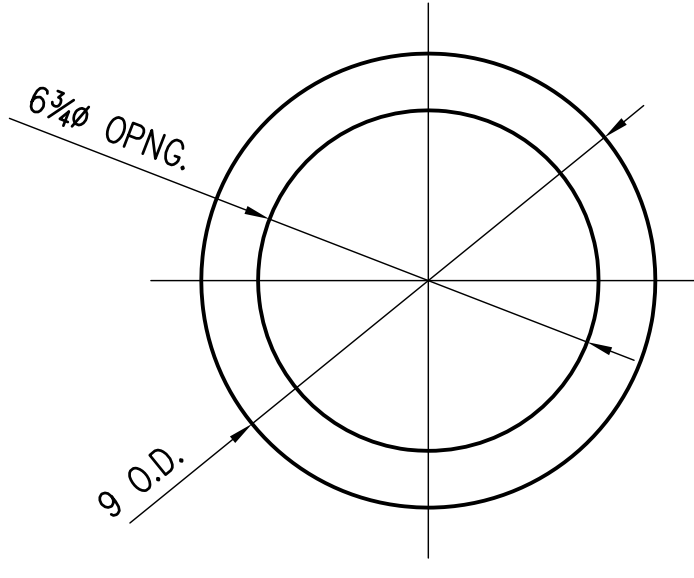
**DETAIL OF BAR-b1**



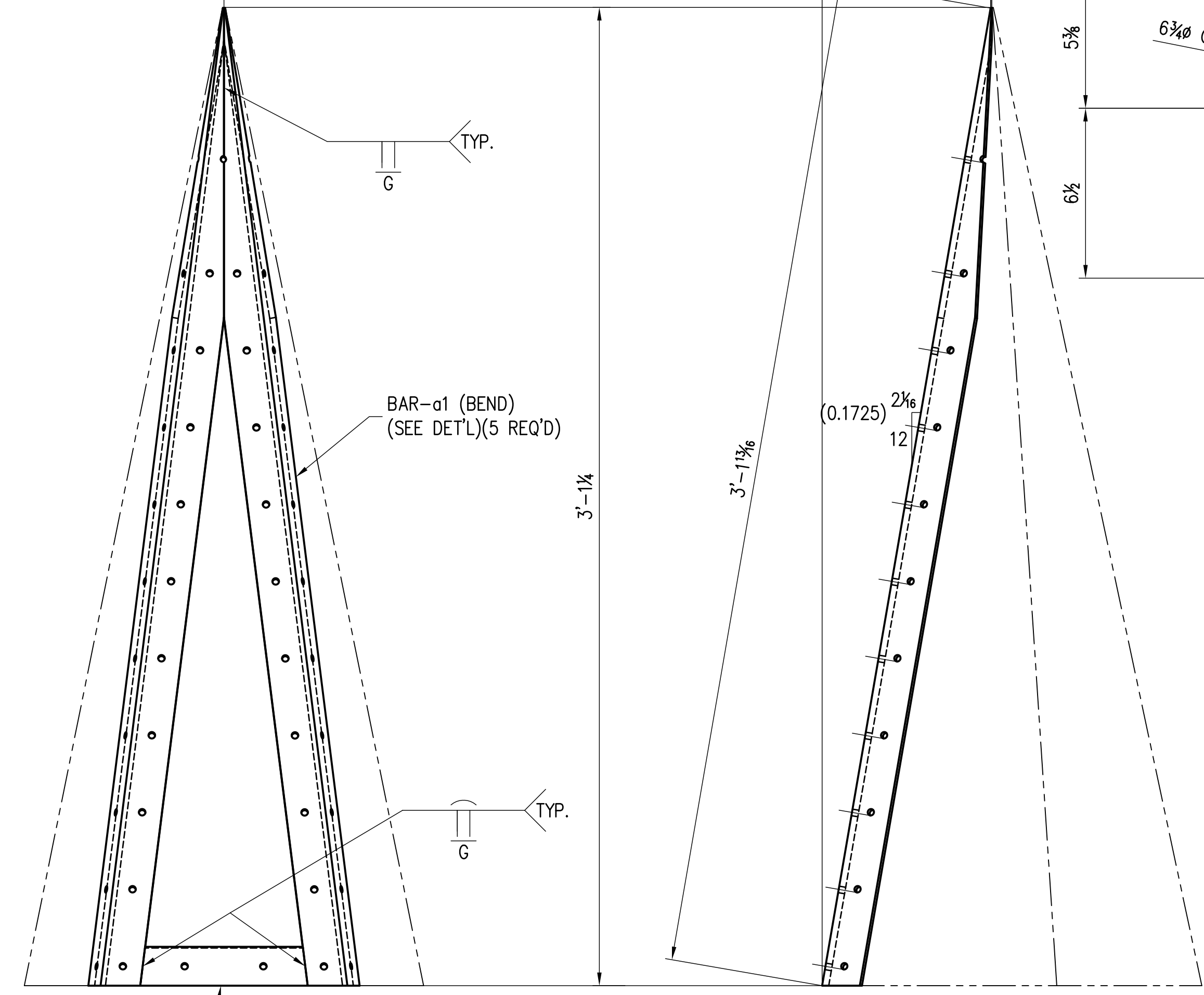
**DETAIL OF PL-d1**



**DETAIL OF PL-f1**



**ONE - MOUNTING POST - 1M2**



**VIEW B-B**

**11 - SPIRES - 1M1**

LINE	SEQUENCE	SEQ. QUANTITY	TOTAL REQ'D	MARK	DESCRIPTION	LENGTH		REMARKS	ORDERED		WEIGHT
						FT.	IN.		PAGE	LINE	
1		11		1M1	SPIRE						
2		55		a1	BAR 3 x 1/4	3	2 1/2	BEND			
3		55		b1	BAR 1 1/2 x 1/4	0	6 3/8				
4											
5		ONE		1M2	MOUNTING POST						
6		5		b1	BAR 1 1/2 x 1/4	0	6 3/8				
7		5		c1	BAR 3 x 1/4	1	9 1/2	BEND			
8		ONE		d1	PL 1 x 14 3/16	1	3 3/8				
9		ONE		f1	PL 1/2 x 9 O.D.	0	9	6 3/8 I.D.			
10		ONE		g1	PIPE 6\"/>						

SHOP NOTES