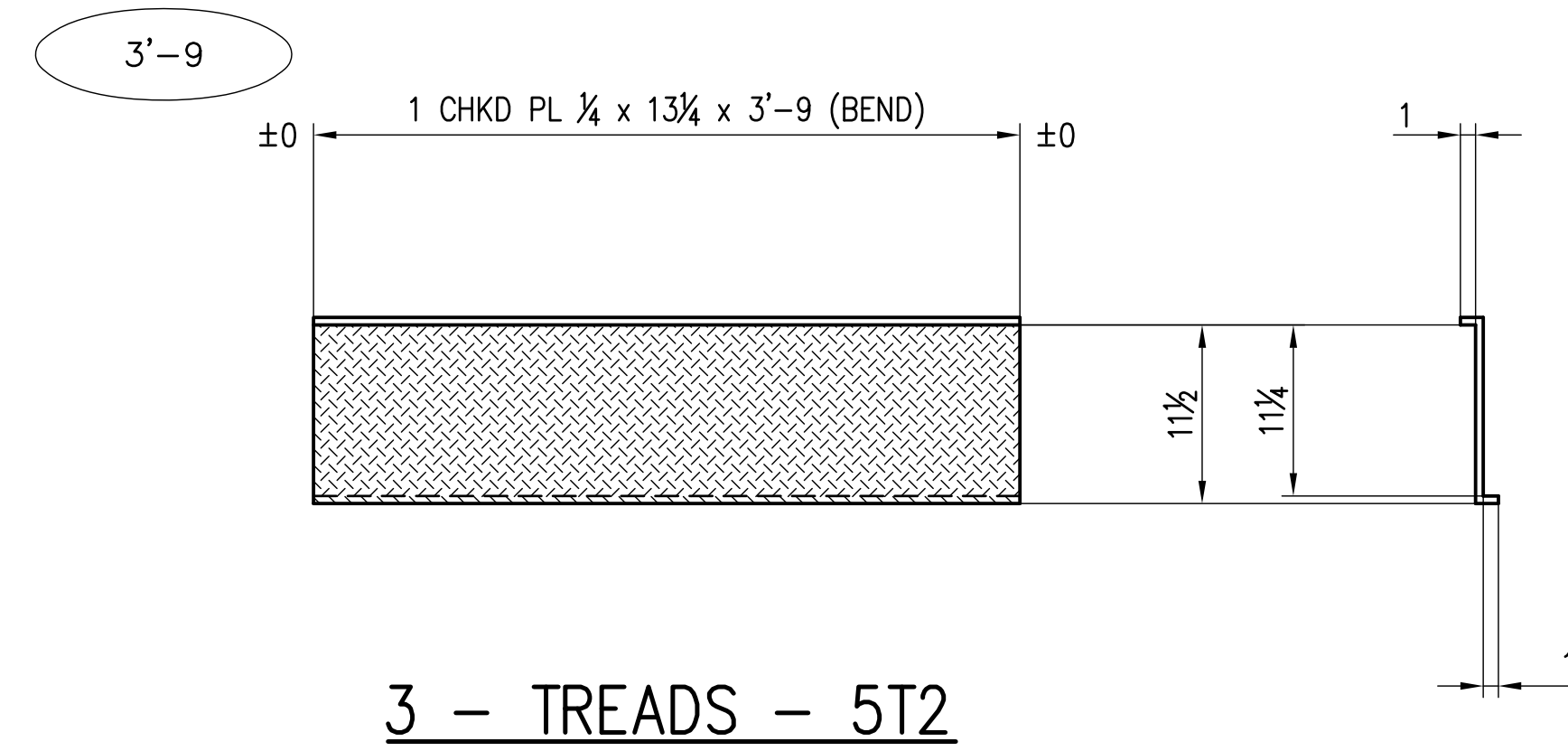
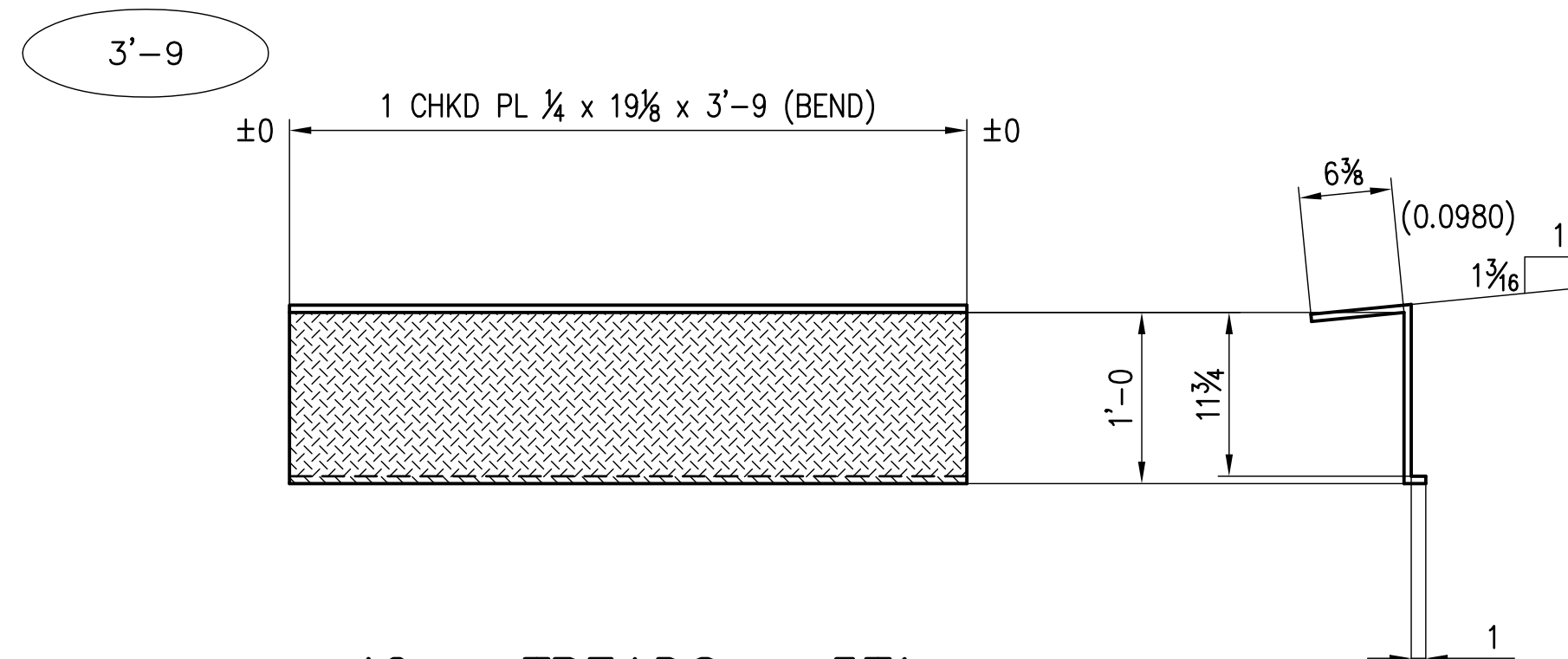


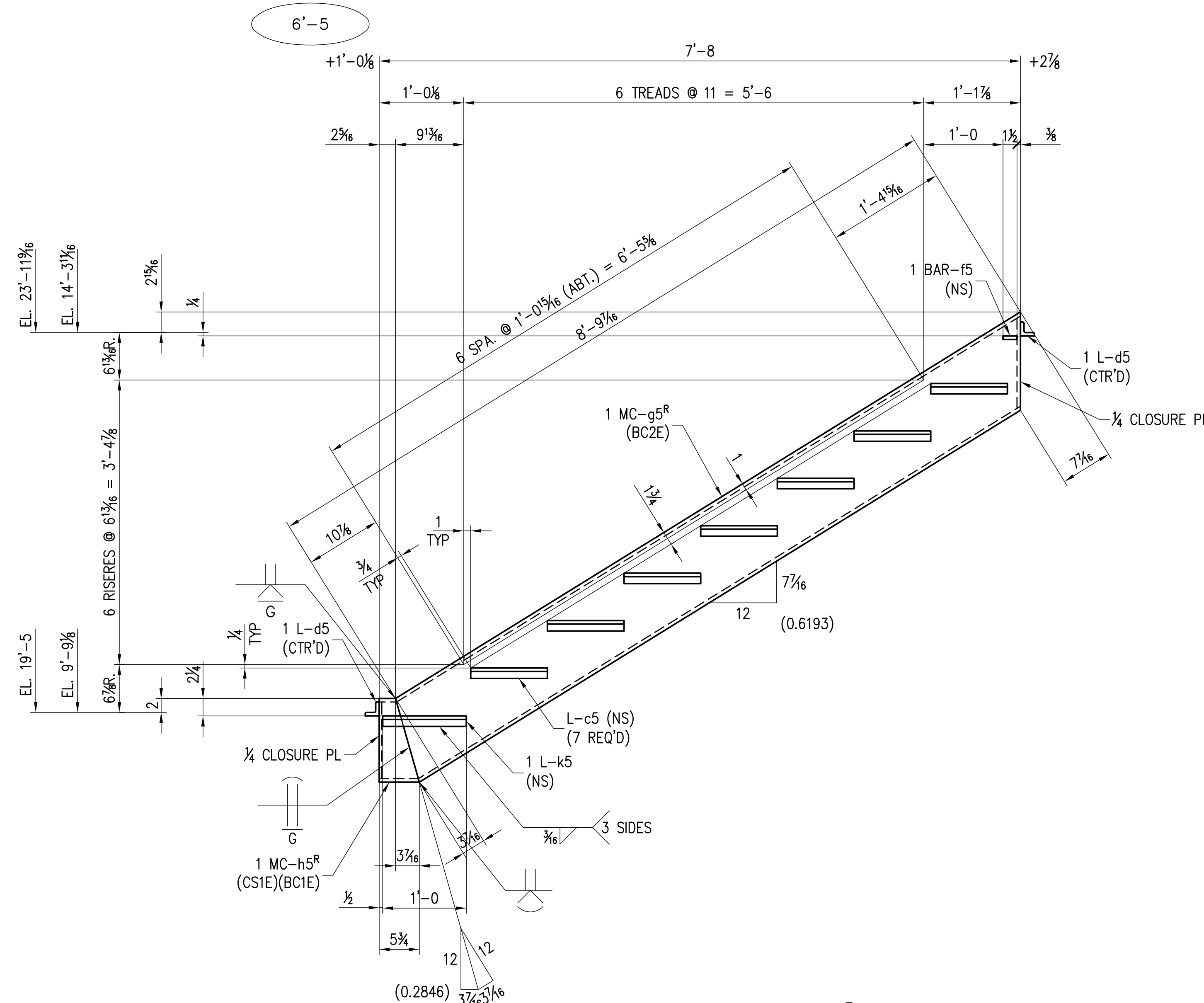
ONE - STRINGER - 5S1^R
 ONE - STRINGER - 5S1^L



3 - TREADS - 5T2



42 - TREADS - 5T1



2 - STRINGERS - 5S2^R
 2 - STRINGERS - 5S2^L

BILL OF MATERIAL

| NO. | TOT. QTY. | QTY. | MARK | DESCRIPTION | LENGTH | | REMARKS |
|-----|-----------|------|-------------------|-------------------------|--------|-------|--|
| | | | | | FT. | IN. | |
| 1 | | ONE | 5S1 ^R | STRINGER | | | |
| 2 | | ONE | 5S1 ^L | STRINGER | | | |
| 3 | | 2 | a5 ^{R/L} | MC12 x 10.6 | 8 | 4 1/4 | BC2E |
| 4 | | 2 | b5 | L3 x 3 x 1/4 | 0 | 4 | |
| 5 | | 14 | c5 | L1 1/2 x 1 1/2 x 1/4 | 0 | 11 | |
| 6 | | 2 | d5 | L2 x 2 x 3/8 | 0 | 1 | |
| 7 | | 2 | f5 | BAR 1 1/2 x 1/4 | 0 | 1 1/2 | |
| 8 | | | | | | | |
| 9 | | 2 | 5S2 ^R | STRINGER | | | |
| 10 | | 2 | 5S2 ^L | STRINGER | | | |
| 11 | | 28 | c5 | L1 1/2 x 1 1/2 x 1/4 | 0 | 11 | |
| 12 | | 8 | d5 | L2 x 2 x 3/8 | 0 | 1 | |
| 13 | | 4 | f5 | BAR 1 1/2 x 1/4 | 0 | 1 1/2 | |
| 14 | | 4 | g5 ^{R/L} | MC12 x 10.6 | 9 | 0 7/8 | BC2E, 2 ^R /2 ^L |
| 15 | | 4 | h5 ^{R/L} | MC12 x 10.6 | 0 | 5 3/4 | CS1E, BC1E, 2 ^R /2 ^L |
| 16 | | 4 | k5 | L1 1/2 x 1 1/2 x 1/4 | 1 | 0 | |
| 17 | | | | | | | |
| 18 | | 42 | 5T1 | CHKD PL 1/4 x 19 1/8 | 3 | 9 | BEND |
| 19 | | | | | | | |
| 20 | | 3 | 5T2 | CHKD PL 1/4 x 13 1/4 | 3 | 9 | BEND |
| 21 | | | | | | | |
| 22 | | | | | | | |
| 23 | | | | | | | |
| 24 | | | | | | | |
| 25 | | | | | | | |
| 26 | | | | | | | |
| 27 | | | | | | | |
| 28 | | | | | | | |
| 29 | | | | | | | |
| 30 | | | | | | | |
| 31 | | | | | | | |
| 32 | | | | | | | |
| 33 | | | | | | | |
| 34 | | | | | | | |
| 35 | | | | | | | |
| 36 | | | | | | | |
| 37 | | | | | | | |
| 38 | | | | | | | |
| 39 | | | | | | | |
| 40 | | | | | | | |
| 41 | | | | | | | |
| 42 | | | | | | | |
| 43 | | | | | | | |
| 44 | | | | | | | |
| 45 | | | | | | | |
| 46 | | | | | | | |
| 47 | | | | | | | |
| 48 | | | | | | | |
| 49 | | | | | | | |
| 50 | | | | | | | |
| 51 | | | | | | | |
| 52 | | | | | | | |
| 53 | | | | | | | |
| 54 | | | | | | | |
| 55 | | | | | | | |
| 56 | | | | | | | |
| 57 | | | | FIELD BOLTS | | | |
| 58 | | 2 | | 3/4" HILTI KWIK BOLT II | 0 | 7 | 3 1/2 EMBED |
| 59 | | | | | | | |
| 60 | | | | | | | |

- SHOP NOTES:
- MAT'L - ASTM A36 (U.N.O.)
 - HOLES - 13/16"
 - WELD - E70XX
 - PAINT - ONE S/C APPROVED PRIMER